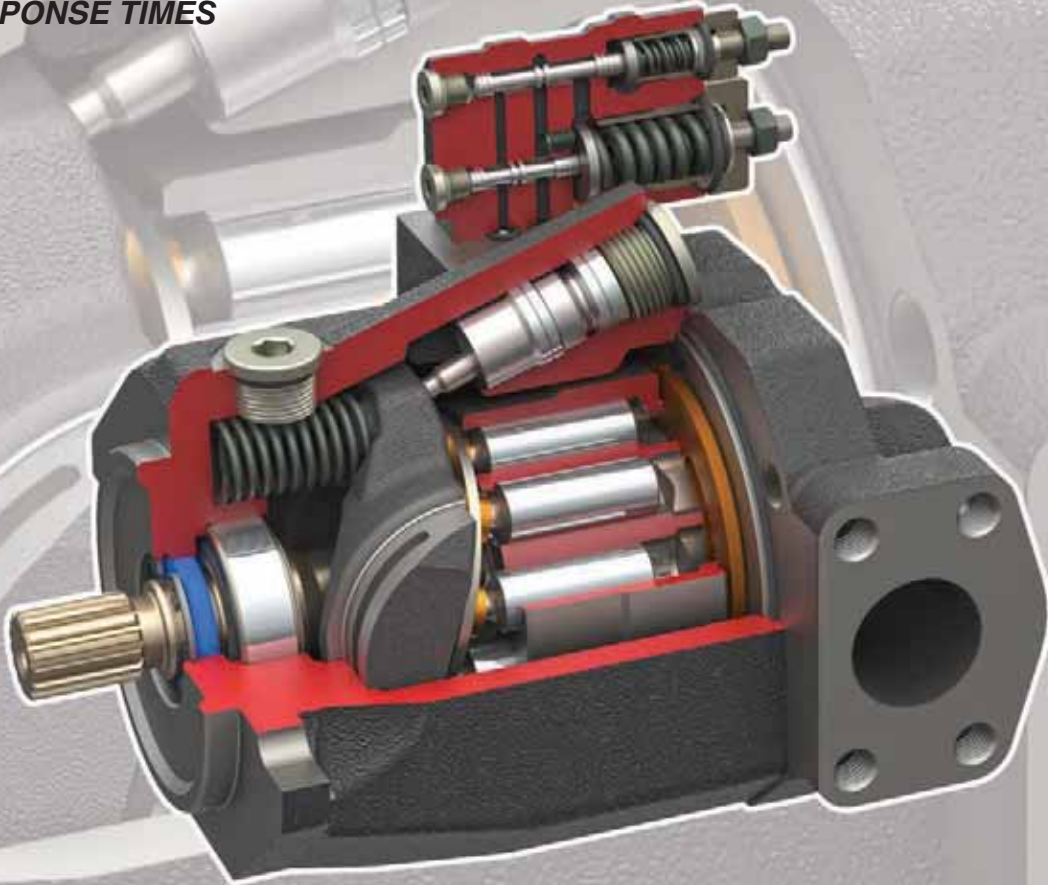


# HPV

## VARIABLE DISPLACEMENT AXIAL PISTON PUMP SERIES

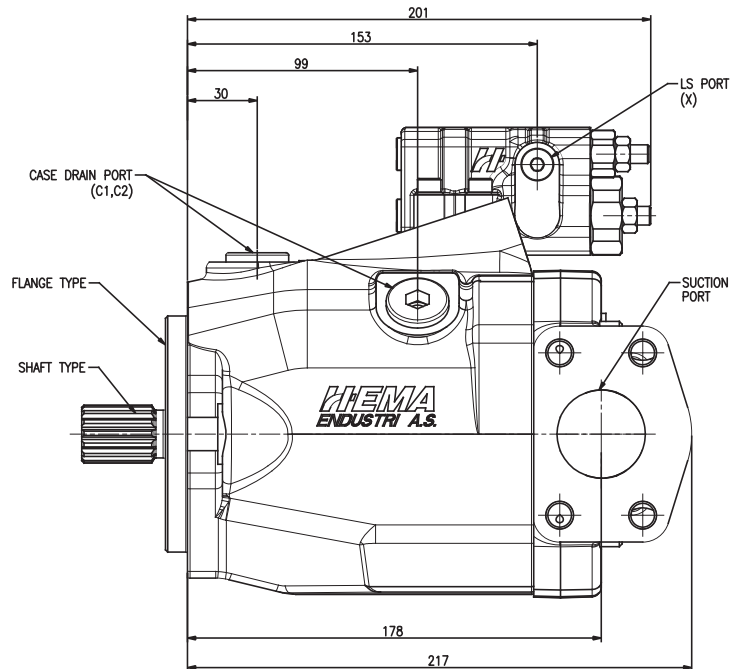
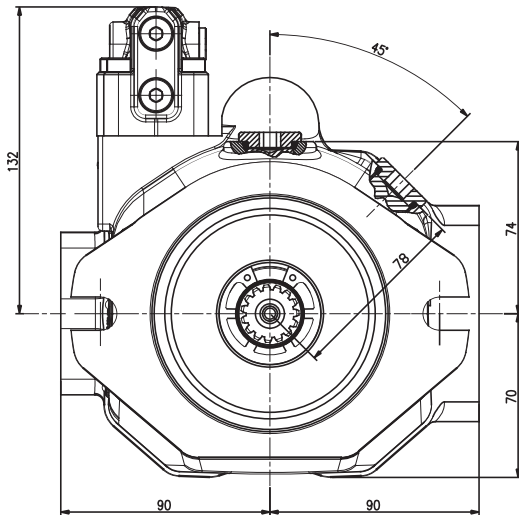
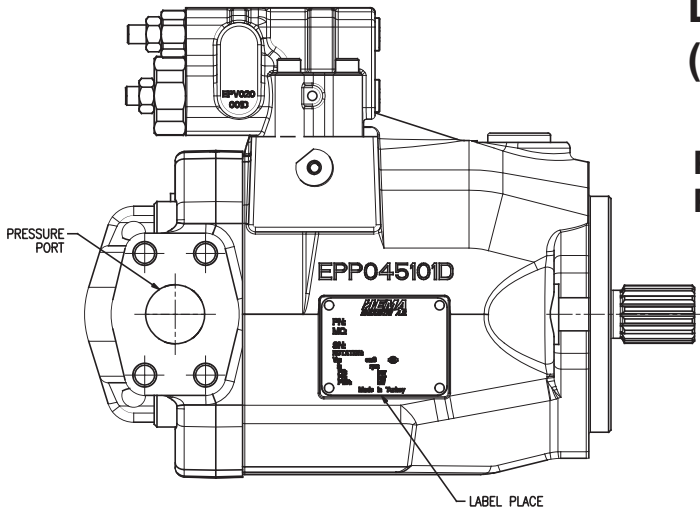
- 35cc, 45cc, 65cc, 75cc DISPLACEMENTS
- WORKING/PEAK PRESSURE; 250/320 bar (Type "A")  
280/350 bar (Type "B")
- PRESSURE, FLOW AND POWER REGULATIONS
- SHORT RESPONSE TIMES
- LOW NOISE



## HPV SERIES TYPE "A" PISTON PUMP DIMENSIONS AND SPECIFICATIONS (SIDE PORT)

**PR:** PRESSURE REGULATION

**PFR:** PRESSURE AND FLOW REGULATION

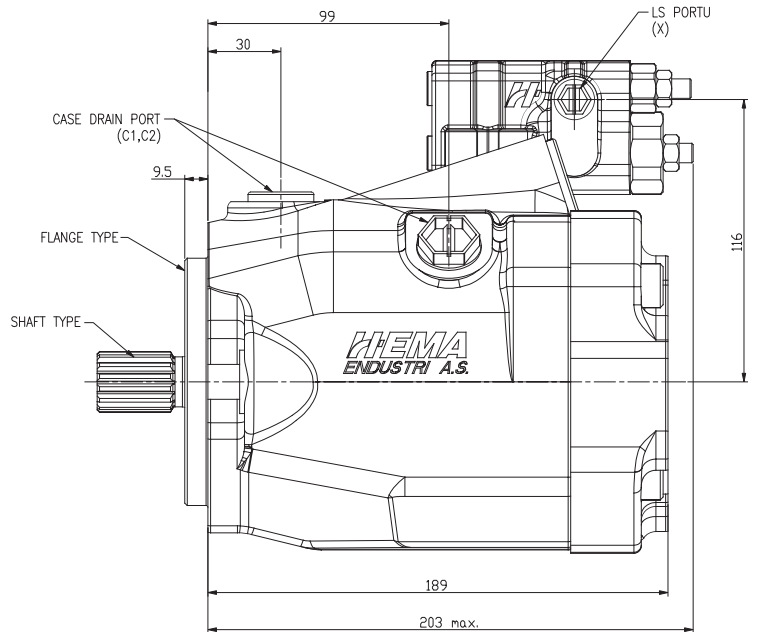
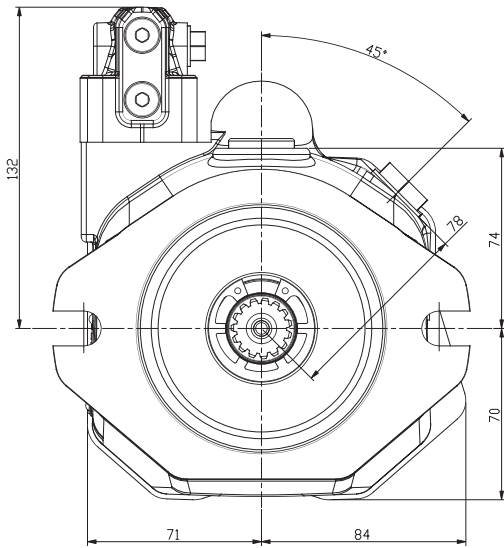
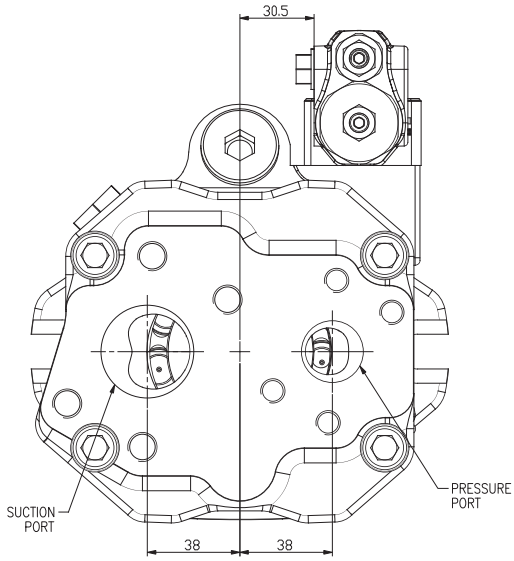


MODEL	DISPLACEMENT (cm <sup>3</sup> /rev)	MAX. OUTLET PRESSURE (bar)	PEAK PRESSURE (bar)	MAX. SPEED (rpm)
HPV	35	250	320	2700
TYPE "A"	45	250	320	2700

## HPV SERIES TYPE "A" PISTON PUMP DIMENSIONS AND SPECIFICATIONS (REAR PORT)

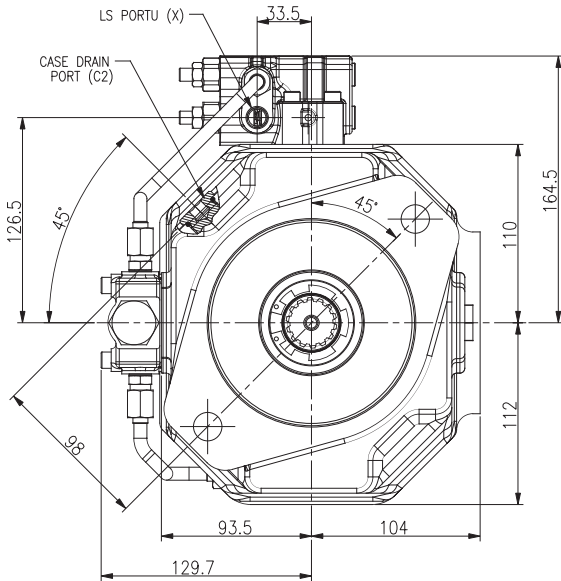
**PR:** PRESSURE REGULATION

**PFR:** PRESSURE AND FLOW REGULATION

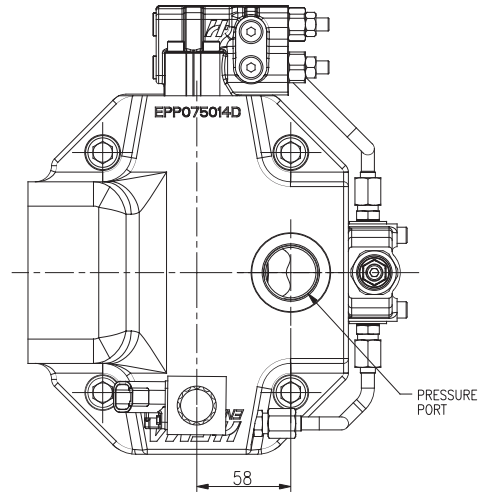
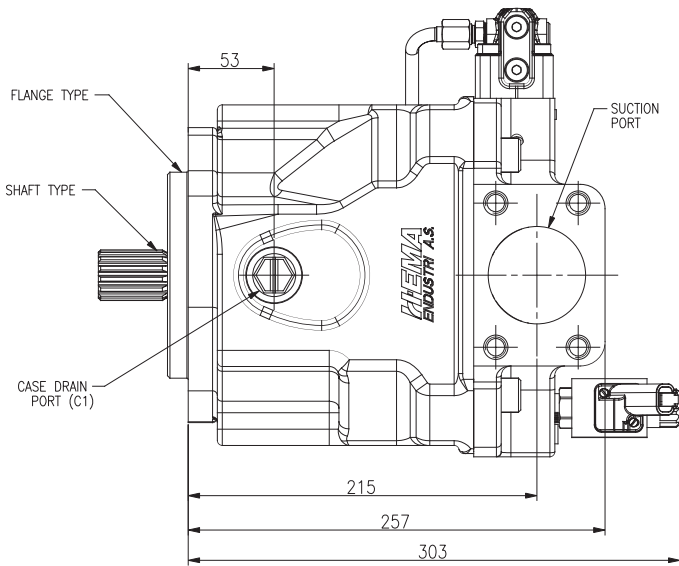


MODEL	DISPLACEMENT (cm <sup>3</sup> /rev)	MAX. OUTLET PRESSURE (bar)	PEAK PRESSURE (bar)	MAX. SPEED (rpm)
HPV TYPE "A"	35	250	320	2700
	45	250	320	2700

## HPV SERIES TYPE "B" PISTON PUMP DIMENSIONS AND SPECIFICATIONS



**PR:** PRESSURE REGULATION  
**PFR:** PRESSURE AND FLOW REGULATION  
**PFPR:** PRESSURE, FLOW AND POWER REGULATION



MODEL	DISPLACEMENT (cm <sup>3</sup> /rev)	MAX. OUTLET PRESSURE (bar)	PEAK PRESSURE (bar)	MAX. SPEED (rpm)
HPV TYPE "B"	65	280	350	2200
	75	280	350	2200

## ORDER CODE

H	P	V	O	45	PFR	A	R	V	-	S5	B2	-	S	FE1	S	FC1	-	TH1	TC1	-	X	
1	2	3	4	5	6	7	8	9	10	11	12	13	14	15	16	17						

### 1. PRODUCT TYPE

										35cc	45cc	65cc	75cc
P	PUMP									●	●	●	●

### 2. DISPLACEMENT TYPE

										35cc	45cc	65cc	75cc
V	VARIABLE									●	●	●	●

### 3. OPERATION MODE

										35cc	45cc	65cc	75cc
O	OPEN CIRCUIT									●	●	●	●

### 4. DISPLACEMENT

35cc	45cc	65cc	75cc
35	45	65	75

● Available

○ On request

- Not available

## ORDER CODE

H	P	V	O	45	PFR	A	R	V	-	S5	B2	-	S	FE1	S	FC1	-	TH1	TC1	-	X	
1	2	3	4	5	6	7	8	9	10	11	12	13	14	15	16	17						

### 5. CONTROL TYPE

		35cc	45cc	65cc	75cc
<b>PR</b>	PRESSURE REGULATION	○	○	●	●
<b>PFR</b>	PRESSURE AND FLOW REGULATION	●	●	●	●
<b>PFPR</b>	PRESSURE, FLOW AND POWER REGULATION	○	○	●	●
<b>PFPS1</b>	PRESSURE, FLOW AND POWER REGULATION (WITH SOLENOID CONTROL)	○	○	●	●

### 6. SERIES

		35cc	45cc	65cc	75cc
<b>A</b>	250 bar max. 320 bar peak	●	●	○	○
<b>B</b>	280 bar max. 350 bar peak	○	○	●	●

### 7. ROTATION

<b>R</b>	RIGHT (CLOCKWISE)
<b>L</b>	LEFT (COUNTER CLOCKWISE)

### 8. SEALS

<b>V</b>	VITON (FKM)
<b>N</b>	NBR
<b>H</b>	HNBR

● Available

○ On request

- Not available

## ORDER CODE

H	P	V	O	45	PFR	A	R	V	-	S5	B2	-	S	FE1	S	FC1	-	TH1	TC1	-	X	
1	2	3	4	5	6	7	8	9	10	11	12	13	14	15	16	17						

### 9. SHAFT (SAE J744)

SHAFT TYPES		CODE	35 cc	45 cc	65 cc	75 cc
SPLINE	13T 16/32 DP	S4	●	●	-	-
	15T 16/32 DP	S5	●	●	○	○
	14T 12/24 DP	S6	-	-	●	●
STRAIGHT KEYED	25 (Ø25,4)	K5	○	○	-	-
	32 (Ø31,75)	K6	-	-	○	○

### 10. FLANGE (SAE J744)

FLANGE TYPES	CODE	35 cc	45 cc	65 cc	75 cc
SAE B - 2 BOLT	B2	●	●	-	-
SAE C - 2 BOLT	C2	-	-	●	●

● Available

○ On request

- Not available

## ORDER CODE

H	P	V	O	45	PFR	A	R	V	-	S5	B2	-	S	FE1	S	FC1	-	TH1	TC1	-	X	
1	2	3	4	5	6	7	8	9	10	11	12	13	14	15	16	17						

### 11. SUCTION PORT POSITION

		35 cc	45 cc	65 cc	75 cc
S	SIDE	●	●	●	●
R	REAR	●	●	○	○

### 12. SUCTION PORT

#### FLANGED PORT – SAE CODE 61

PORT TYPES		CODE	DISPLACEMENT			
			35cc	45cc	65cc	75cc
1 1/2"	M12x1.75	FE1	S/R			
	M14x1.75	FE2				
	7/16 - 14UNC - 2B	FE3	S/R			
	1/2 - (1 1/2) 13UNC - 2B	FE4				
2 1/2"	M12x1.75	FG1			S	
	M14x1.75	FG2				
	1/2 - (1 1/2) 13UNC - 2B	FG3			S	

#### THREADED PORT – ISO 6149

PORT TYPES		CODE	DISPLACEMENT			
			35cc	45cc	65cc	75cc
M27X2	TJ1	●	●			
M30X2	TK1	●	●			
M33X2	TL1	●	●		R	
M36X2	TM1	●	●			
M40X2	TN1	●	●			
M42X2	TO1	●	●			

**S:AVAILABLE FOR SIDE PORT**

**R:AVAILABLE FOR REAR PORT**

**S/R:AVAILABLE FOR SIDE AND REAR PORT**

● Available

○ On request

- Not available



## ORDER CODE

H	P	V	O	45	PFR	A	R	V	-	S5	B2	-	S	FE1	S	FC1	-	TH1	TC1	-	X	
1	2	3	4	5	6	7	8	9	10	11	12	13	14	15	16	17						

### 13. PRESSURE PORT POSITION

		35cc	45cc	65cc	75cc
S	SIDE	●	●	○	○
R	REAR	●	●	●	●

### 14. PRESSURE PORT

#### FLANGED PORT – SAE CODE 61

			DISPLACEMENT			
PORT TYPES	CODE		35cc	45cc	65cc	75cc
3/4"	M10x1.5	FB1				
	3/8-1 1/4	FB3				
1"	M10x1.5	FC1	S/R			
	M12x1.75	FC2				
	3/8-1 1/4	FC3				
	7/16-1 1/2	FC4				
1 1/4"	M12x1.75	FD1				
	M14x1.75	FD2				
	1/2-1 3/4	FD3				

#### THREADED PORT – ISO 6149

			DISPLACEMENT			
PORT TYPES	CODE		35cc	45cc	65cc	75cc
M27X2	TJ1		●	●		
M30X2	TK1		●	●		
M33X2	TL1		●	●	R	
M36X2	TM1		●	●		
M40X2	TN1		●	●		
M42X2	TO1		●	●		

**S:AVAILABLE FOR SIDE PORT**

**R:AVAILABLE FOR REAR PORT**

**S/R:AVAILABLE FOR SIDE AND REAR PORT**

● Available

○ On request

- Not available

## ORDER CODE

H	P	V	O	45	PFR	A	R	V	-	S5	B2	-	S	FE1	S	FC1	-	TH1	TC1	-	X	
1	2	3	4	5	6	7	8	9	10	11	12	13	14	15	16	17						

15. CASE DRAIN (C)

16. LS PORT

### THREADED PORT – ISO 6149

PORT TYPES	CODE	DISPLACEMENT			
		35cc	45cc	65cc	75cc
M12x1.5	TC1	LS	LS	LS	LS
M14x1.5	TD1				
M18X1.5	TF1				
M20X1.5	TG1				
M22X1.5	TH1	C	C	C	C
M24X1.5	TI1				

### THREADED PORT – SAE J1926

PORT TYPES	CODE	DISPLACEMENT			
		35cc	45cc	65cc	75cc
7/16"-20UNF	TC2	LS	LS	LS	LS
3/4"-16UNF	TF2				
7/8"-14UNF	TG2	C	C	C	C
1 1/16"-12UN	TH2				

**LS:AVAILABLE FOR LS PORT**

**C:AVAILABLE FOR CASE DRAIN PORT**

**LS/C:AVAILABLE FOR LS AND CASE DRAIN PORT**

17. THROUGH DRIVE

X	NOT APPLICABLE
---	----------------

● Available

○ On request

- Not available

**NOTES:**

A series of horizontal dotted lines for writing notes.

# **H'EMA** **ENDÜSTRİ A.Ş.**



## ***Hema Endüstri A.Ş.***

G.O.P. Mah. (OSB) 4. Cad. No:5 59500

Cerkezkoy / TEKIRDAG / TURKEY

☎ +90 (282) 758 10 40

☎ +90 (282) 758 10 71

✉ [marketing@hattat.com.tr](mailto:marketing@hattat.com.tr)

***[www.hemaendustrl.com.tr](http://www.hemaendustrl.com.tr)***