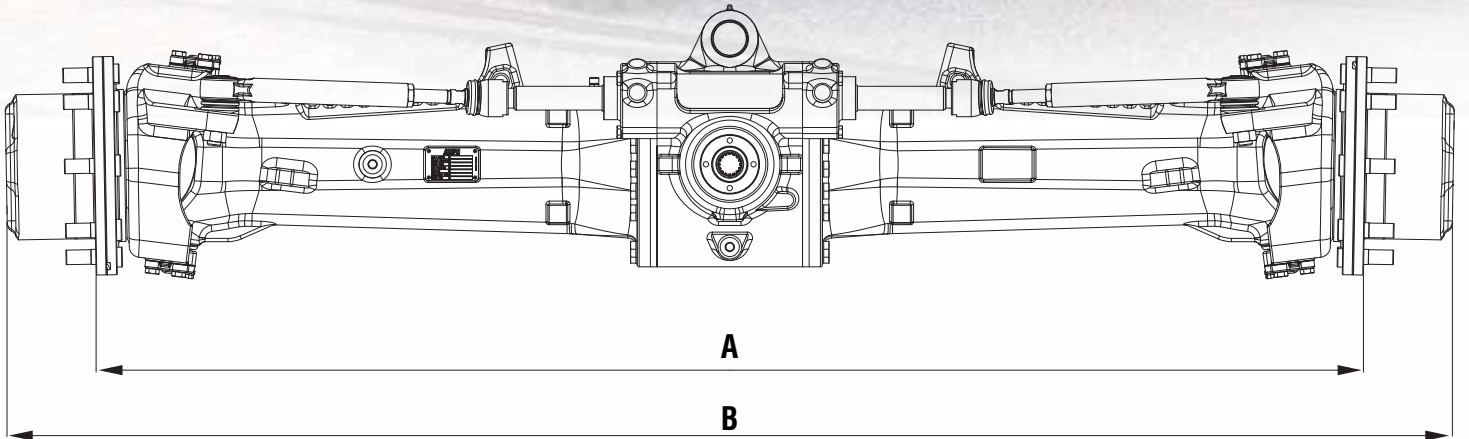


BACKHOE LOADER AXLES STEER AXLES

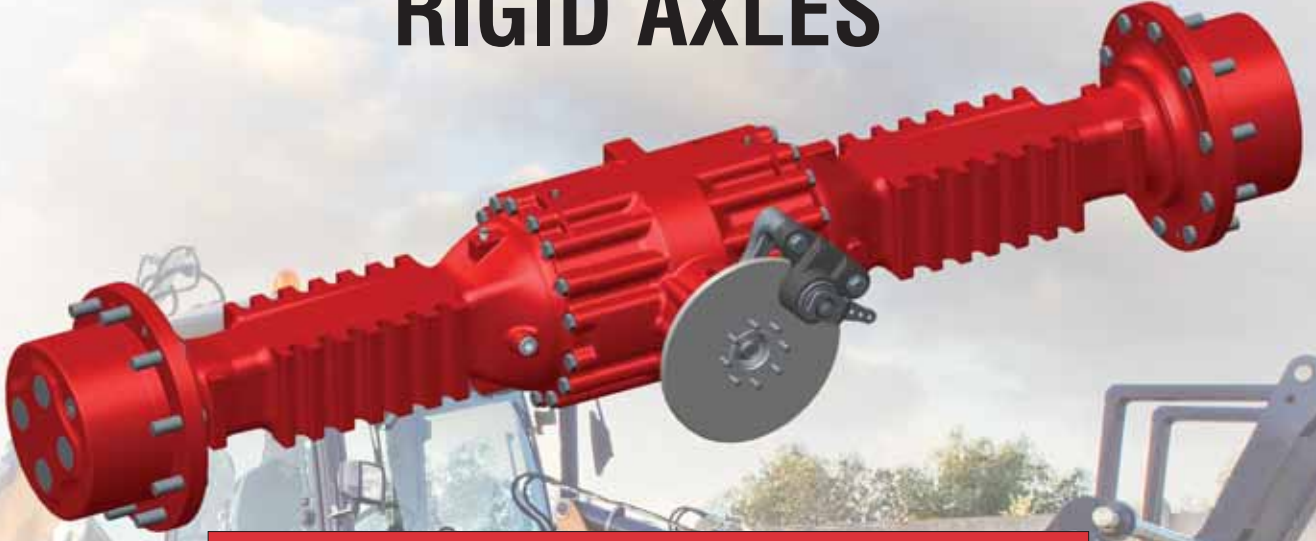


STEER AXLES		
Model	421	421HD
(A) Flange to Flange	1800-1920 mm	1800-1920 mm
(B) Max. Overall Dinemsion	2180 mm	2180 mm
Hub Diameter	Ø 220.8 mm	Ø 220.8 mm
PCD	Ø 275 mm	Ø 275 mm
Max. Output Torque	26 kNm	32 kNm
Dymanic Axle Load	65 kN	77 kN
Steering Angle	53°	53°
Ratio	from 12.8:1 up to 19.2:1	from 12.8:1 up to 19.2:1



BACKHOE LOADER AXLES

RIGID AXLES



RIGID AXLES		
Model	621	621HD
(A) Flange to Flange	1530-1800 mm	1530-1800 mm
(B) Max. Overall Dimension	2090 mm	2090 mm
Hub Diameter	Ø 280.6 mm	Ø 280.6 mm
PCD	Ø 335 mm	Ø 335 mm
Max. Output Torque	53 kNm	65 kNm
Dymanic Axle Load	90 kN	100 kN
Ratio	from 12.8:1 up to 19.2:1	from 12.8:1 up to 19.2:1

